



Post Office Box 97  
 Benton Harbor, Michigan  
 Ph: 269/926-6171  
 Fax: 269/925-8288

# Product Specifications

PART NUMBER: STD230

REVISION: A

Model Number	Motor Voltage	RPM 60 cycle   50 cycle	HP	KW	Net Wt. lbs.   Kg
0211-V45F-G8CX	115	1725   N/A	1/6	0.13	19   8.6
0211-V45F-G230CX	220	N/A   1425	1/6	0.13	19   8.6
0211-V45R-G230CX	220	N/A   1425	1/6	0.13	19   8.6

SOUND LEVEL

LESS THAN 70 dba

NORMAL AMBIENT

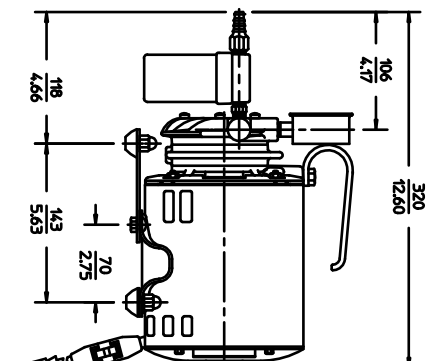
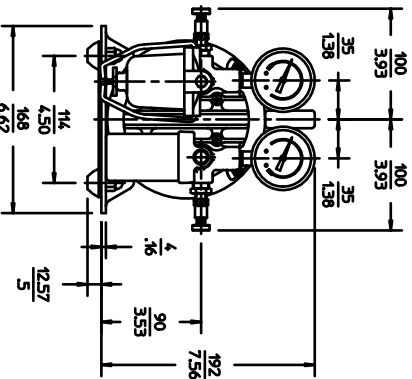
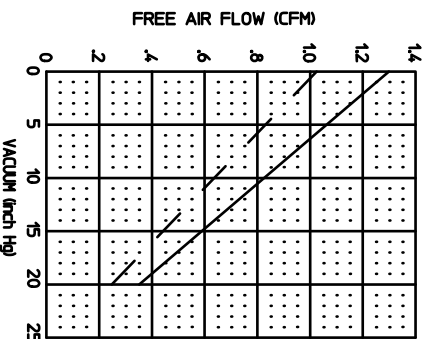
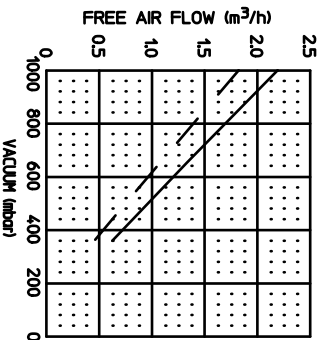
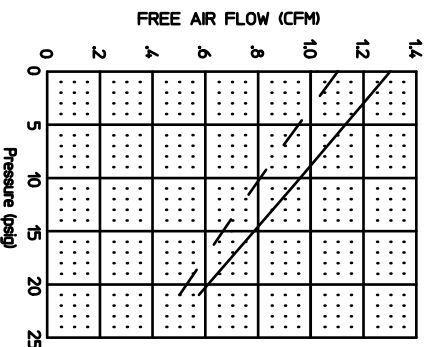
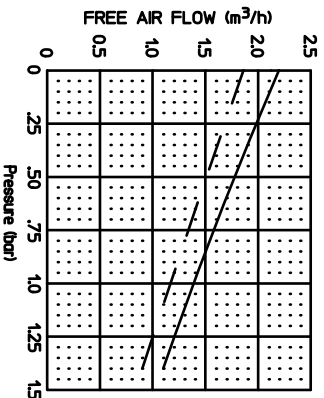
19°C. - 40°C.

RELATIVE HUMIDITY 8% - 100% NON CONDENSING

ENVIRONMENT CLEAN DUST FREE

\* TECHNICAL DATA SUBJECT TO CHANGE  
 WITHOUT NOTICE.

SOLID LINE IS FOR 60 CYCLE PERFORMANCE.  
 DASHED LINE IS FOR 50 CYCLE PERFORMANCE.



CORD ASM. LESS  
 SWITCH ON  
 0211-V45R-G230CX