

NOTES:

1. ALL DIMENSIONS ARE FOR REF. USE ONLY.
2. PRODUCT DIMENSIONS: U.S. IMPERIAL (inches) METRIC (mm)
3. \* = TECHNICAL DATA SUBJECT TO CHANGE WITHOUT NOTICE.
4. INSTALLATION: THIS PUMP MUST BE INSTALLED IN AN ENCLOSURE.

SOUND LEVEL	LESS THAN 70 db(A)
NORMAL AMBIENT	+5 deqC - +40 deqC
RELATIVE HUMIDITY	20% - 80%
ENVIRONMENT	CLEAN DUST FREE

**GAST**

A UNIT OF IDEX CORPORATION  
BENTON HARBOR, MI U.S.A.

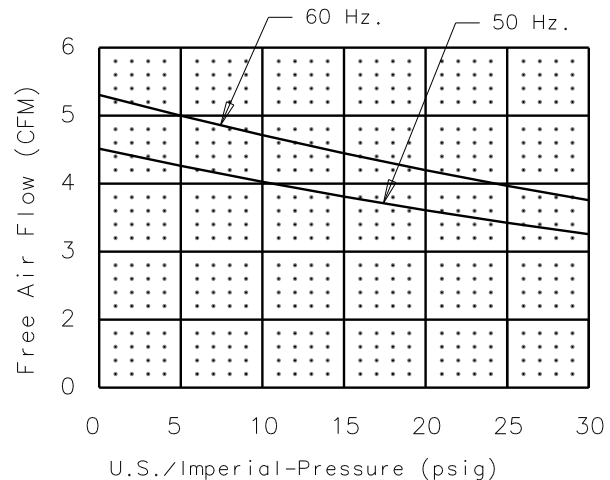
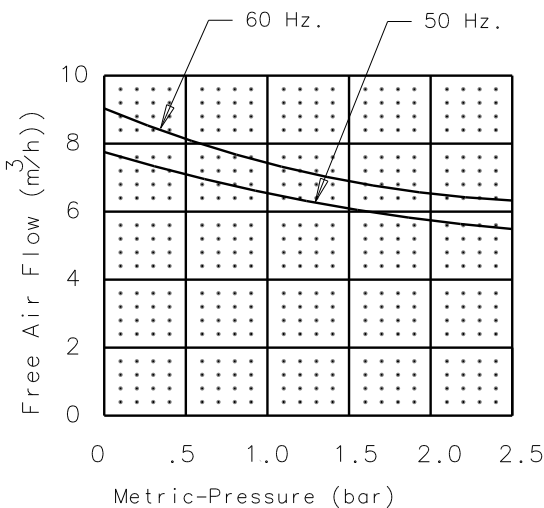
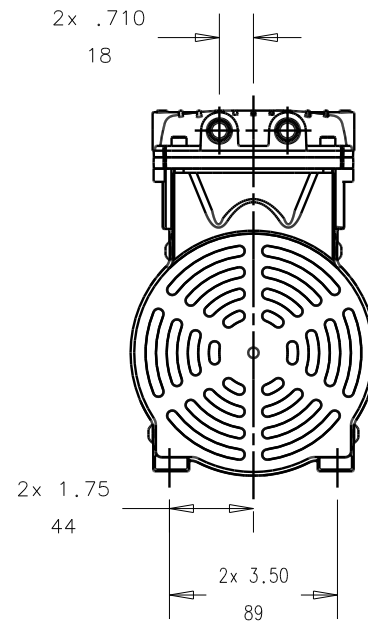
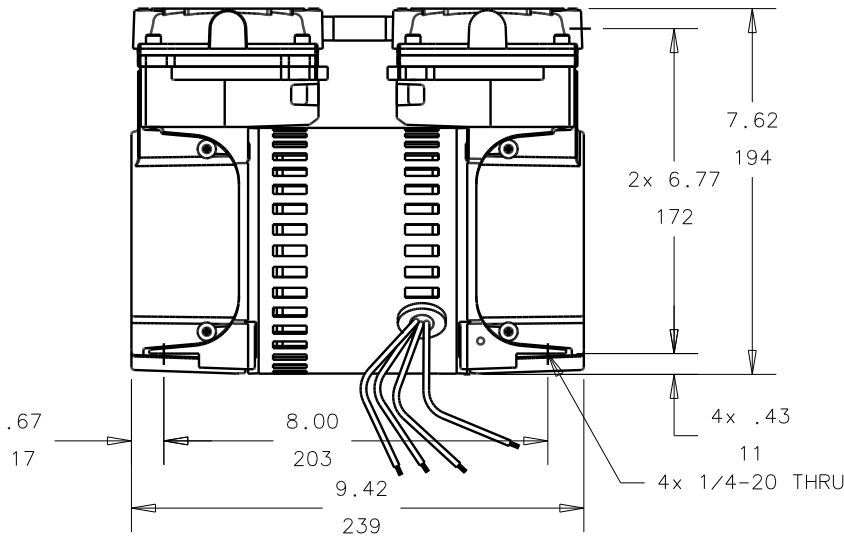
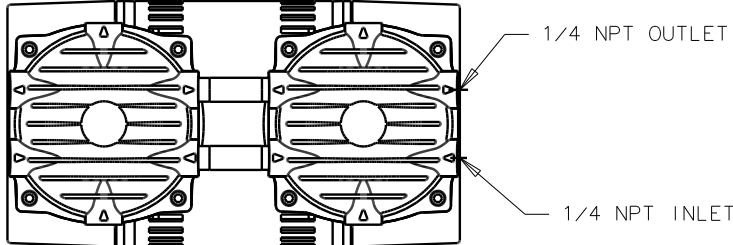
GAST MANUFACTURING INC.  
A Unit of IDEX Corporation  
Post Office Box 97  
Benton Harbor, Michigan  
Ph: 269/926-6171  
Fax: 269/925-8288

PART NUMBER:

RTD601A

REV.

B



## Product Specifications

MODEL NUMBER	MOTOR	RPM		HP.	kW.	NET WT.		AMPS	CAPACITOR
		60 cycle	50 cycle			lbs.	kg.		
75R647-P101-H302CX	230/220-240	1725	1425	1/3	0.25			3.0/2.4	10 440-450