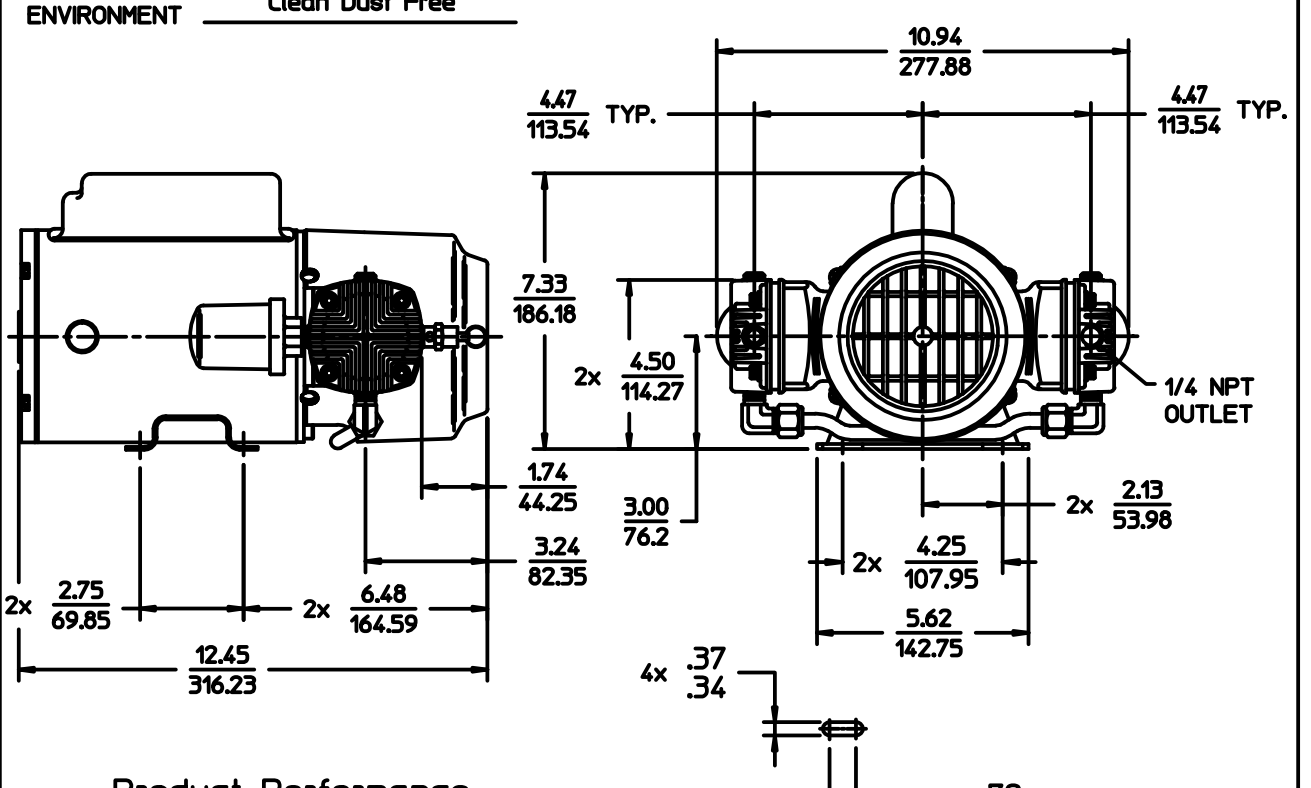
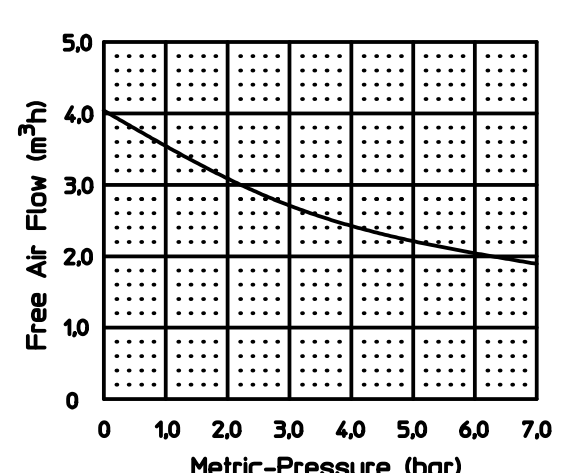
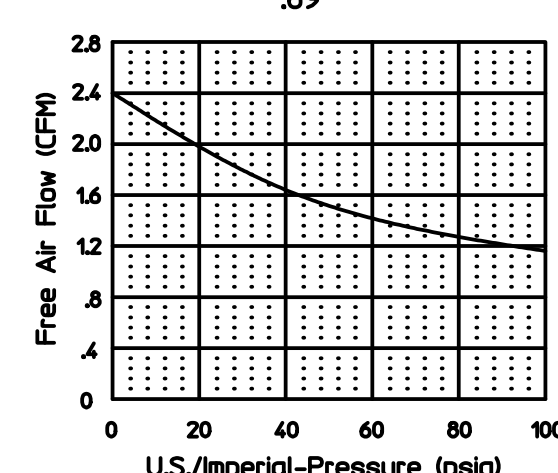
 <p style="font-size: 8px; margin: 0;">GAST MANUFACTURING, INC. A Unit of IDEX Corporation Post Office Box 97 Benton Harbor, Michigan Ph: 269/926-0271 Fax: 269/925-8286</p>	PART NO. RTD140A	REV. A																					
<p style="font-size: 8px; margin: 0;">NOTES: 1. ALL DIMENSIONS ARE FOR REFERENCE USE ONLY. 2. PRODUCT DIMENSIONS: U.S. IMPERIAL (inches) METRIC (mm). 3. * = TECHNICAL DATA SUBJECT TO CHANGE WITHOUT NOTICE. 4. INSTALLATION: THIS PUMP MUST BE INSTALLED IN AN ENCLOSURE.</p> <p style="font-size: 8px; margin: 0;">SOUND LEVEL: 70 dB(A) NORMAL AMBIENT: +5 degC - +40 degC RELATIVE HUMIDITY: 20% - 80% ENVIRONMENT: Clean Dust Free</p>																							
																							
<p style="font-size: 8px; margin: 0;">Product Performance</p> <div style="display: flex; justify-content: space-around;"> <div style="text-align: center;">  <p style="font-size: 8px; margin: 0;">Free Air Flow (m³/h)</p> <p style="font-size: 8px; margin: 0;">Metric-Pressure (bar)</p> </div> <div style="text-align: center;">  <p style="font-size: 8px; margin: 0;">Free Air Flow (CFM)</p> <p style="font-size: 8px; margin: 0;">U.S./Imperial-Pressure (psig)</p> </div> </div>																							
<p style="font-size: 8px; margin: 0;">Product Specifications</p> <table border="1" style="width: 100%; border-collapse: collapse; font-size: 8px;"> <thead> <tr> <th style="text-align: left;">Model Number</th> <th style="text-align: left;">Motor</th> <th style="text-align: left;">RPM 60 cycle 50 cycle</th> <th style="text-align: left;">HP</th> <th style="text-align: left;">kW</th> <th colspan="2" style="text-align: left;">Net Wt.</th> </tr> <tr> <th></th> <th></th> <th></th> <th></th> <th></th> <th style="text-align: left;">lbs.</th> <th style="text-align: left;">kg.</th> </tr> </thead> <tbody> <tr> <td>388-10-H300AX</td> <td>115V 1 Ph.</td> <td>1742</td> <td>1/3</td> <td>.25</td> <td>24</td> <td>10.9</td> </tr> </tbody> </table>			Model Number	Motor	RPM 60 cycle 50 cycle	HP	kW	Net Wt.							lbs.	kg.	388-10-H300AX	115V 1 Ph.	1742	1/3	.25	24	10.9
Model Number	Motor	RPM 60 cycle 50 cycle	HP	kW	Net Wt.																		
					lbs.	kg.																	
388-10-H300AX	115V 1 Ph.	1742	1/3	.25	24	10.9																	